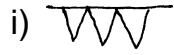




b) State the meaning of the following symbols :

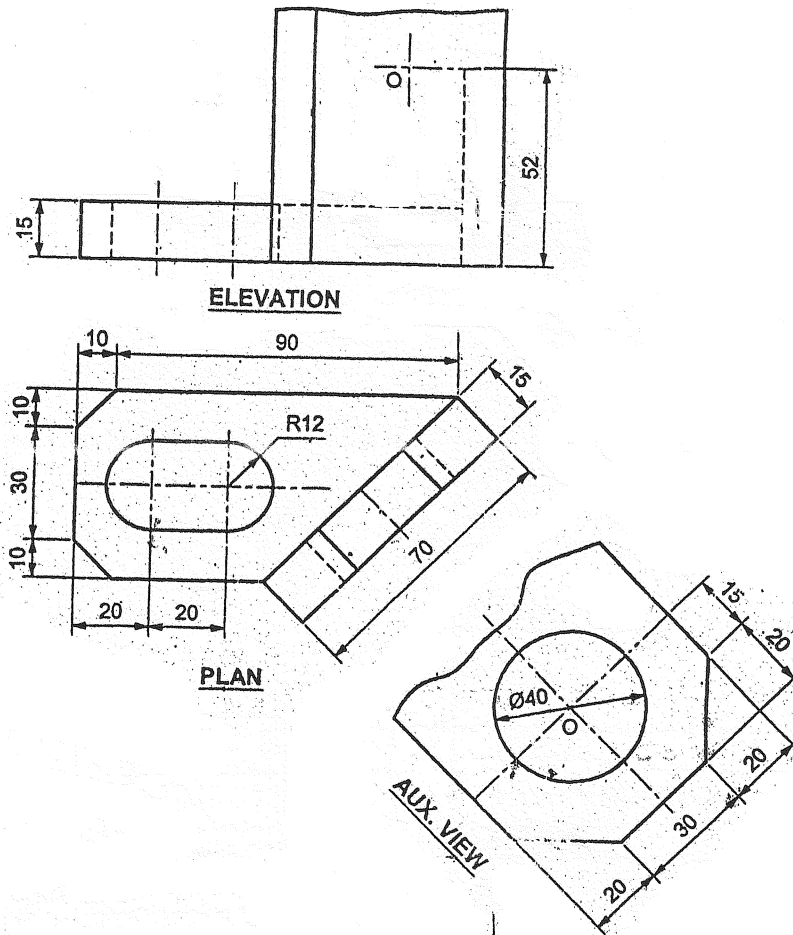


iii) $21H_6$

iv) $21K_5$

c) The shaft size is $\phi 35^{0.04}$ and hole size is $\phi 35^{0.00}$. Determine type of fit between them.

2. A) Figure 02 shows incomplete FV and partial auxiliary view of bracket. Redraw the given views and complete front view, showing all details. 12



Q. 2(A) - Figure 02

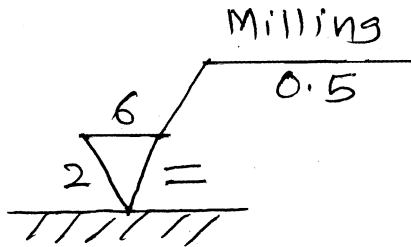


MARKS

(2×4=8)

B) Solve **any two** :

- 1) Draw symbols for following features used in geometrical tolerances.
 - a) Concentricity
 - b) Parallelism
 - c) Perpendicularity
 - d) Profile of any surface.
- 2) The circular shaft of diameter 30 mm at the end welded to flate plate of thickness 8 mm by circular fillet weld. Prepare welding drawing.
- 3) State meaning numbers in following symbol.



3. Solve **any two** :

(2×10=20)

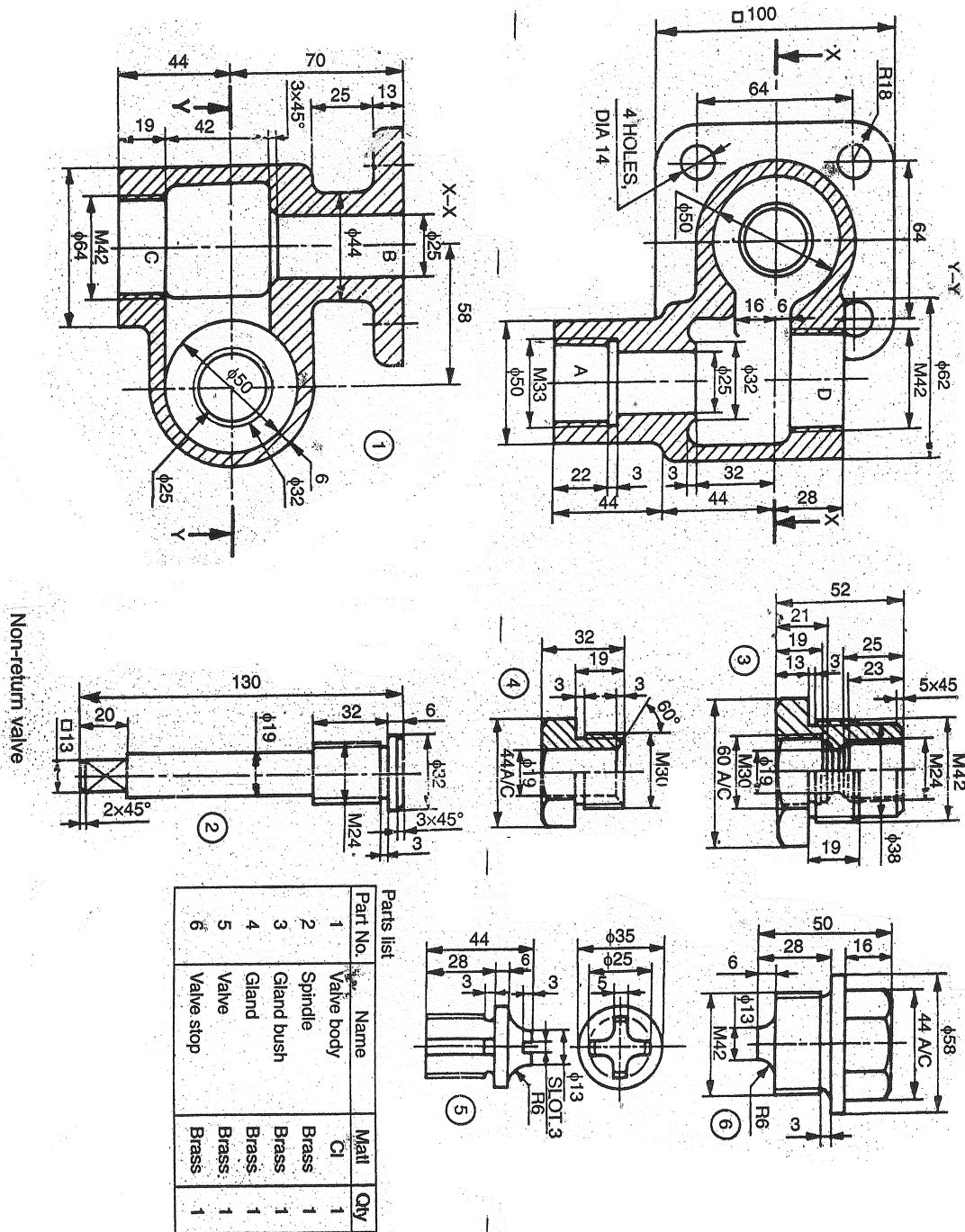
- a) A vertical cone base 80 mm diameter and axis 110 mm long is penetrated by a horizontal cylinder, 45 mm diameter. The axis of the cylinder is 25 mm above the base of cone, is parallel to the VP and is 10 mm away from axis of cone. Draw the projections of solids showing curves of intersection.
- b) A vertical cylinder of 50 mm diameter is completely penetrated by another cylinder of same size. The axis of penetrating cylinder is parallel to both the HP and VP, and is 8 mm away from axis of vertical cylinder. Draw projections of solids showing curves of intersections. Assume suitable lengths of cylinders.
- c) A vertical square prism base 50 mm side and height 90 mm has a face inclined at 30° to VP. It is completely penetrated by another square prism base 40 mm side and axis 100 mm long, faces of which are equally inclined to the VP. The axes of two prism are parallel to VP and bisect each others at right angle. Draw projections of solids showing curves of intersection.



MARKS

b) Figure 04 shows details of non-return valve. Draw assembly drawing showing

- 1) Sectional front view. 10
- 2) Top view. 6
- 3) Show dimensions and tolerances, prepare bill of materials. 4



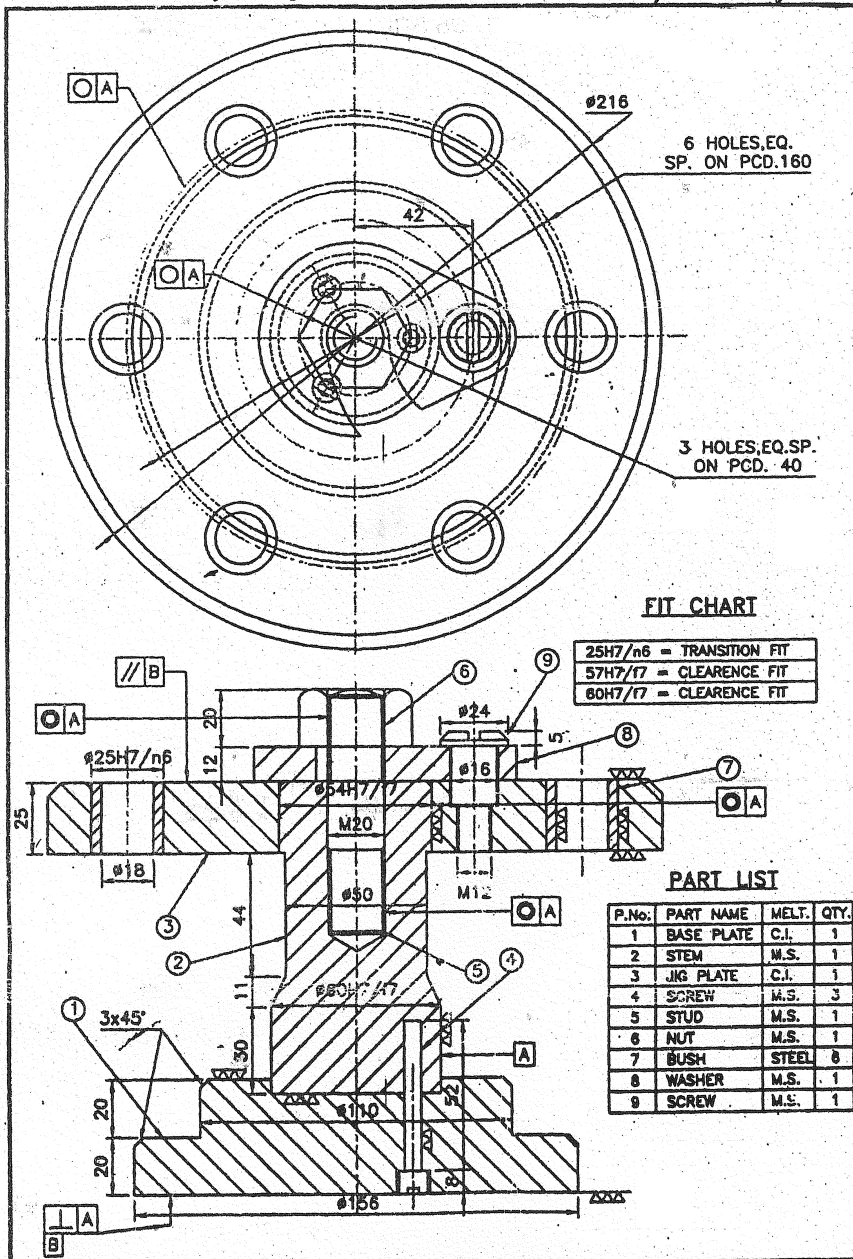
Q. 4(b) - Figure 04



MARKS

- b) Figure 06 shows assembly of drill jig.
 Draw detail drawing of following parts :
- i) Jig plates FV and TV
 - ii) Stem - sectional FV and TV
 - iii) Base plate FV and TV
- Show dimensions, fits, tolerances.

6
8
6



Q. 5(b) - Figure 06